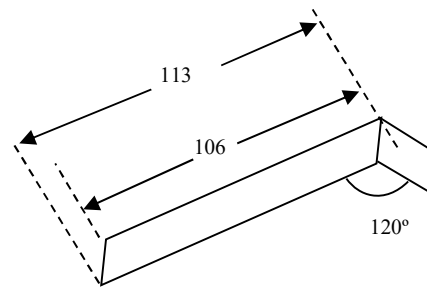
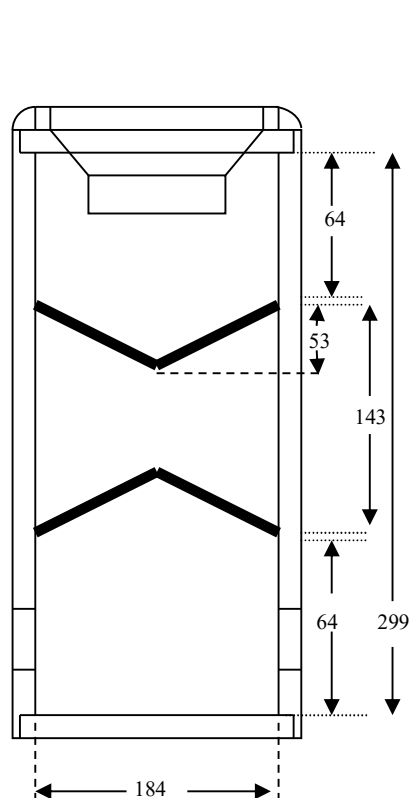
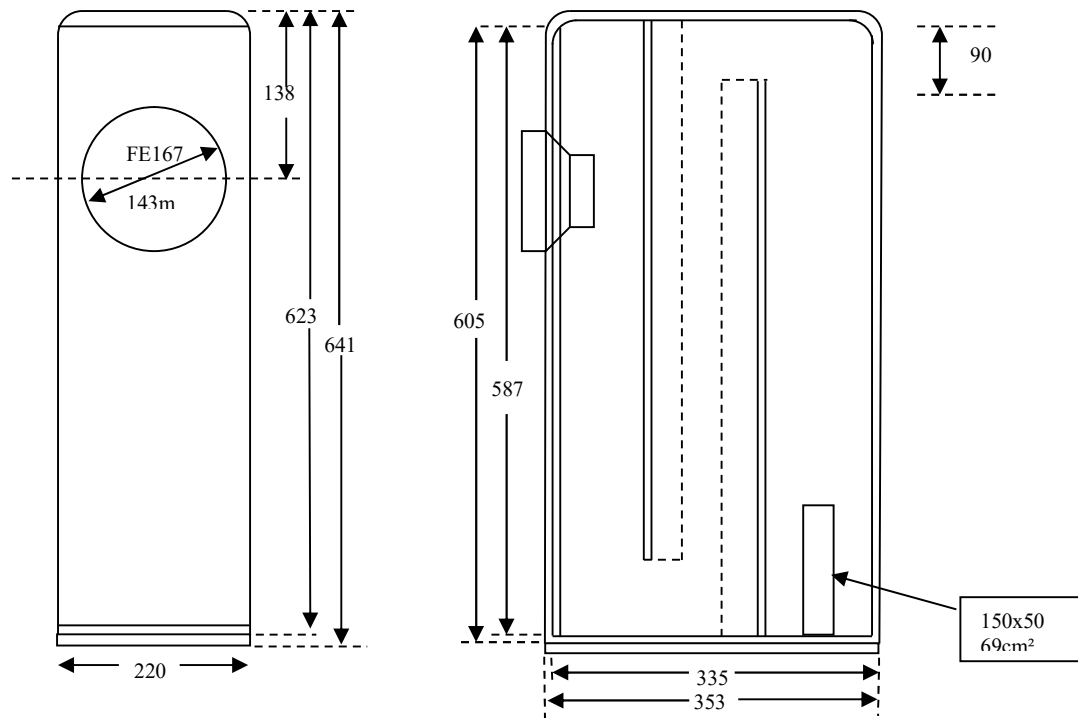


Angular acoustic labyrinth (Almo) - stand mounted



part	wood	A	B	C	qty
Side	BB	605	335	18	4
Back	BB	605	208	18	2
Front	CP	605	208	18	2
Baffle	BB	605	184	18	2
Top	BB	317	184	18	2
Bottom	CP	299	184	18	2
divide	CP	497	113	12	8

- BB - Baltic Birch
- CP - Carcass Ply
- Drawing not to scale
- Line cross section 166 cm²(131%) driver area
- Line length 1861mm (73.25") (46hz)
- Port 75% line cross section
- Port 100% Sd
- Vol 30 ltrs